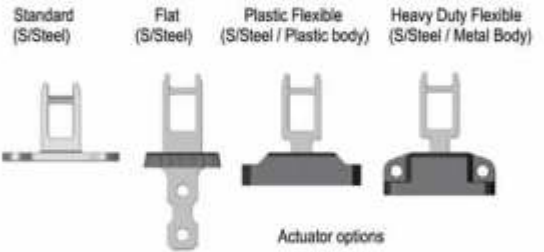
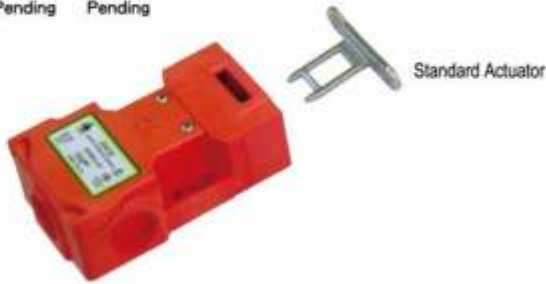


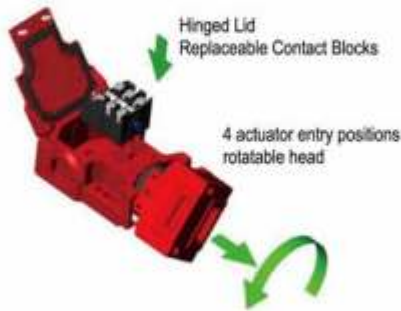
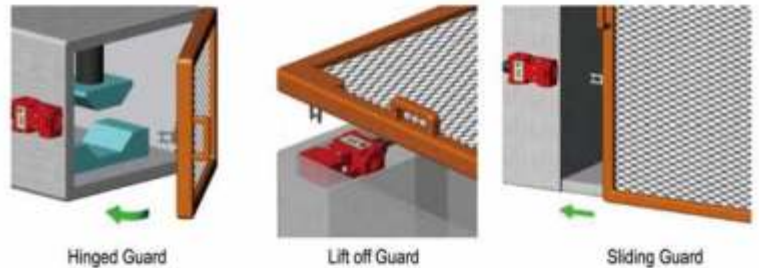
Kobra - Tongue Switches – Type KP



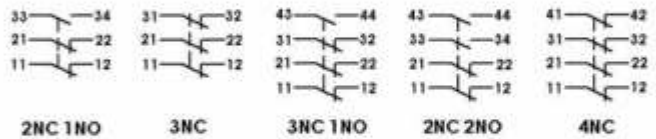
Features:

- High specification polyester body material
- 3 conduit entries M20 or 1/2" NPT
- IP67 enclosure protection – hinged lid
- Replaceable 3 or 4 pole contact blocks
- Explosion proof contact block versions
- Quick connect versions

The switch head can be rotated through 180 degrees to provide ease of mounting and offer 4 different actuator entry positions



Contact blocks provide positively operated safety contacts to IEC 947-5-1 with optional Explosion proof versions.



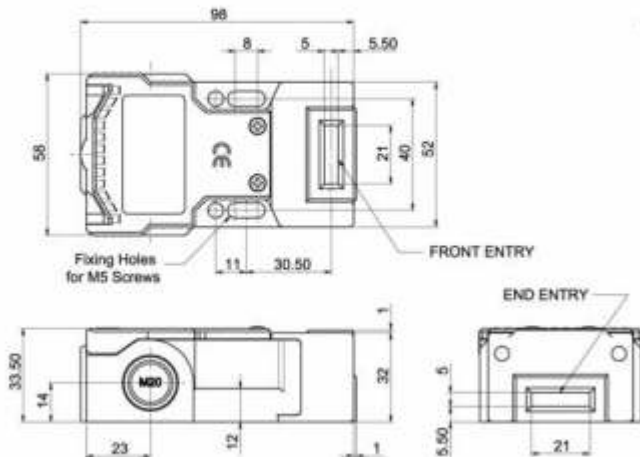
Contact operation at withdrawal of actuator

2NC 1NO	7.8	7.0	0 mm	NC (1NO)	7.8	7.0	0 mm
11/12	Open			11/12	Open		
21/22	Open			21/22	Open		
33/34			Open	31/32	Open		
				43/44			Open

4NC	7.0	0 mm	2NC 2NO	7.8	7.0	0 mm
11/12	Open		11/12	Open		
21/22	Open		21/22	Open		
31/32	Open		33/34			Open
41/42	Open		43/44			Open



- Conforming to standard EN1088, IEC 947-5-1, UL508
- Utilization Category AC15 A300 3A
- Thermal Current (Ith) 10A
- Rated Insulation Voltage 600VAC
- Rated Impulse Withstand Voltage 2500VAC
- Contact Resistance 25mΩ max. (initial)
- Travel for Positive Opening 8mm
- Man. Actuation Frequency 2 cycle/sec
- Case Material UL approved glass-filled polyester
- Actuator Material Stainless steel
- Actuator entry minimum radius 175mm Standard 60mm Flexible
- Enclosure Protection IP67
- Operating Temperature -25°C to 80°C
- Mechanical Life Expectancy 1 x 10⁶ Cycle min.
- Vibration IEC 68-2-6, 10-55Hz+1Hz, Excursion: 0.35mm, 1 octave/min
- Conduit Entry Various (See Sales Part Numbers)
- Fixing 2 x M5



Sales Number				
	Contacts	M20	1/2"NPT	QC
Kobra KP Switch	2NC 1NO	200001	200002	200003
Kobra KP Switch	3NC	200004	200005	200006
Kobra KP Switch	3NC 1NO	200007	200008	200009
Kobra KP Switch	2NC 2NO	200010	200011	200012
Kobra KP Switch	4NC	200013	200014	200015
Kobra KP Switch	1NC 1NO EX	200016	3m. 4 core Ex	
Kobra KP Switch	2NC EX	200019	3m. 4 core Ex	
Kobra Actuator	Standard	Add A to Sales Part Number		
Kobra Actuator	Flat	Add F to Sales Part Number		
Kobra Actuator	Plastic Flexible	Add PF to Sales Part Number		
Kobra Actuator	Heavy Duty Flexible	Add HF to Sales Part Number		

Ordering Example: Kobra KP M20 3NC 1NO with Heavy Duty Flexible Actuator

Part No. 200004-HF