

EUROCODE - Coded Non Contact - Type LPC

Coded Magnetic Actuation

Switching Tolerance up to 14mm

Specified to 80°

but designed to work up to 100°

Popular European fitting suitable for all industry applications.

Narrow fitting for flush mounting

Wide 14mm sensing – high tolerance to misalignment

LED indication

Up to EN 954-1 Cat.4 with safety relay.

2NC 1NO circuits

Quick connect versions



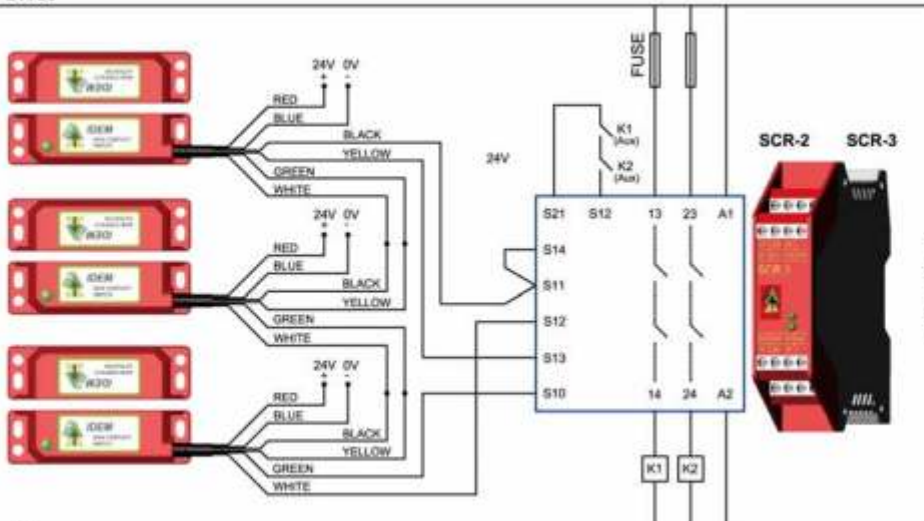
Plastic Housing

Will operate with most EN 954-1 Cat.4 Safety Relays



Application example – coded switches

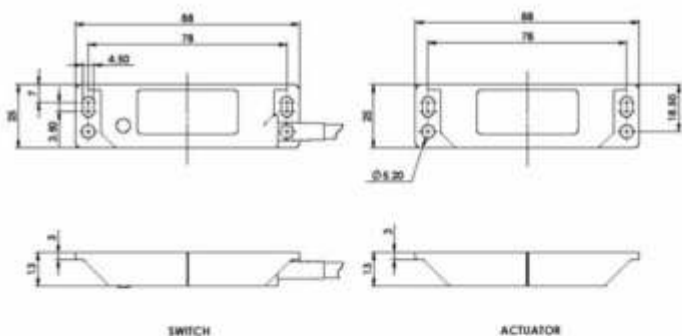
24Vdc



Three switches connected in series to an SCR-2 or SCR-3 to give Dual Channel monitoring with auto start and contactor feedback check.

0V

- Standards** EN1088 IEC 947-5-3 EN 60204-1
EN 954-1 UL508
- Safety Channel 1 NC** 24V.dc 0.2 A Max. Rating
- Safety Channel 2 NC** 24V.dc 0.2 A Max. Rating
- Safety Channel 3 NO** 24V.dc 0.2 A Max. Rating
- Power supply** 24V.dc +/-15% Max.Consumption 50mA
- Minimum switched current** 10V. dc 10mA
- Insulation Resistance** 100 Mohms
- Dielectric withstand** 250V.ac
- Recommended setting gap** 5mm
- Switching Distance:** Sao 10mm Close
(Target to target) Sar 20mm Open
- Tolerance to misalignment** 5mm in any direction from 5mm setting gap
- Switching frequency** 1.0 Hz maximum
- Approach speed** 200mm/m. to 1000mm/s.
- Body Material** Polyester
- Temperature Range** -25 / 80C.
- Enclosure Protection** IP67
- Shock Resistance** IEC 68-2-27 11ms 30g
- Vibration Resistance** IEC 68-2-6 10-55 Hz. 1mm
- Mechanical Life Expectancy** 10,000,000 switchings
- Electrical Life Expectancy** 1,000,000 switchings
- De-rating** Safety Factor 2
Tested to 2,000,000 cycles at 24V. 0.2A..
- Cable Type** PVC 6 core 6mm O.D. for 2NC
8 core 6mm O.D. for 2NC 1NO
- Mounting Bolts** 2 x M4 recommended
Tightening torque 0.8Nm
- Mounting Position** Any



Sales Number	Type	Cable Length	Circuits
110001	Eurocode LPC	2M	2NC
110002	Eurocode LPC	5M	2NC
110003	Eurocode LPC	10M	2NC
110004	Eurocode LPC	QC-M12	2NC
110005	Eurocode LPC	2M	2NC 1NO
110006	Eurocode LPC	5M	2NC 1NO
110007	Eurocode LPC	10M	2NC 1NO
110008	Eurocode LPC	QC-M12	2NC 1NO