

Kobra - Tongue Switches with Guard Locking - Type KLP



Features:

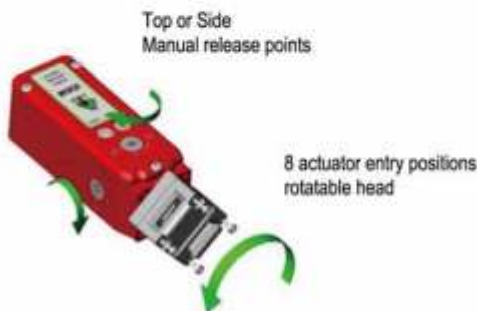
Rugged polyester housing – IP67 enclosure protection

Stainless Steel Head

Provides Guard Holding up to 2000N. (200Kg.)

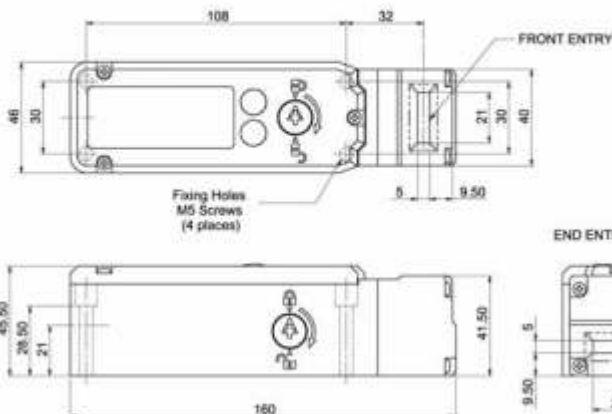
Spring to Lock - Solenoid operated to release

Conduit entry M20 or ½" NPT

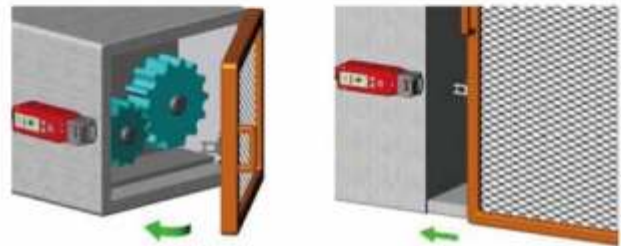
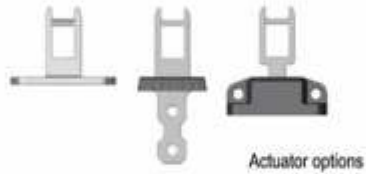


Actuator insertion

	9.0	8.0	0 mm
11/12	Open		
21/22	Open		
33/34			Open
43/44			Open

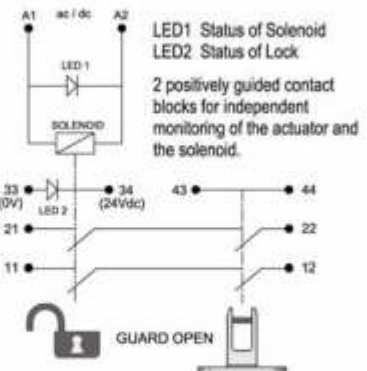
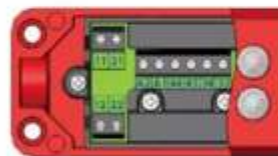


Standard (S/Steel) Flat (S/Steel) Heavy Duty Flexible (S/Steel / Metal Body)



Push to release hand operated guards after solenoid energisation.

Spring to lock when actuator is inserted. Energise solenoid to unlock.



- Conforming to standard EN1088, IEC 947-5-1, UL508
- Solenoid Voltage 24V ac/dc or 110V. ac or 230V. ac
- LED 2 Supply Voltage 24V dc
- Utilization Category AC15 A300 3A.
- Thermal Current (Ith) 10A
- Rated Insulation Voltage 600VAC
- Rated Impulse Withstand Volt age 2500VAC
- Travel for Positive Opening 10mm
- Man. Actuation Frequency 2 cycle/sec
- Actuator entry minimum radius 175mm Standard 60mm Heavy Duty
- Case Material UL approved glass-filled polyester
- Actuator Material Stainless steel
- Enclosure Protection IP67
- Operating Temperature -25°C to 60°C
- Mechanical Life Expectancy 1 x 10⁶ Cycle min.
- Vibration IEC 68-2-6, 10-55Hz+1Hz, Excursion: 0.35mm, 1 octave/min
- Conduit Entry Various (See Sales Part Numbers)
- Fixing 4 x M5

Sales Number				
	Solenoid Voltage	M20	½"NPT	QC
Kobra KLP Switch	24V. ac/dc	201001	201002	201003
Kobra KLP Switch	110V. ac	201004	201005	201006
Kobra KLP Switch	230V. ac	201007	201008	201009
Kobra Actuator	Standard	Add A	to Sales Part Number	
Kobra Actuator	Flat	Add F	to Sales Part Number	
Kobra Actuator	Heavy Duty Flexible	Add HF	to Sales Part Number	

Ordering Example: Kobra KLP ½" NPT 24V. Solenoid with Heavy Duty Flexible Actuator

Part No. 201002-HF