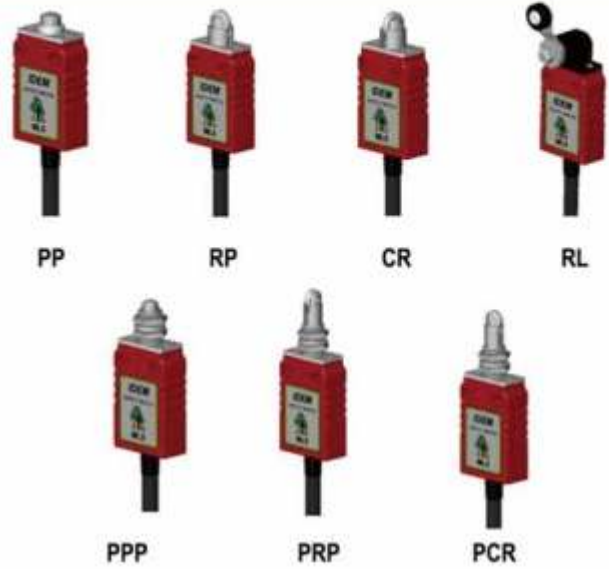


# Safety Limit Switches – Type LSPM – Plastic Body



## Features:

- Plastic body - red colour
- Positive opening NC safety contacts to IEC 945-5-1
- Unique 3 pole positively operated contacts
- Choice of 7 actuator heads Linear and Rotary
- High Mechanical Life 5,000,000 cycles
- Simple two-screw mounting
- Side or End cable exit
- Enclosure Protected to IP67 - wash down suitable
- Wide operating temperature -25C to 80C.
- Contact Blocks : 2NC 1NO    Slow break  
                          1NC 1NO    Snap action



## Actuator types:

- PP: Pin plunger
- RP: Roller plunger
- CR: Cross Roller Plunger
- RL: Roller Lever
- PPP: Panel Mount Pin Plunger
- PRP: Panel Mount Roller Plunger
- PCR: Panel Mount Cross Roller Plunger

## Cable exit:

- S- Side exit
- E- End exit

## Contacts:

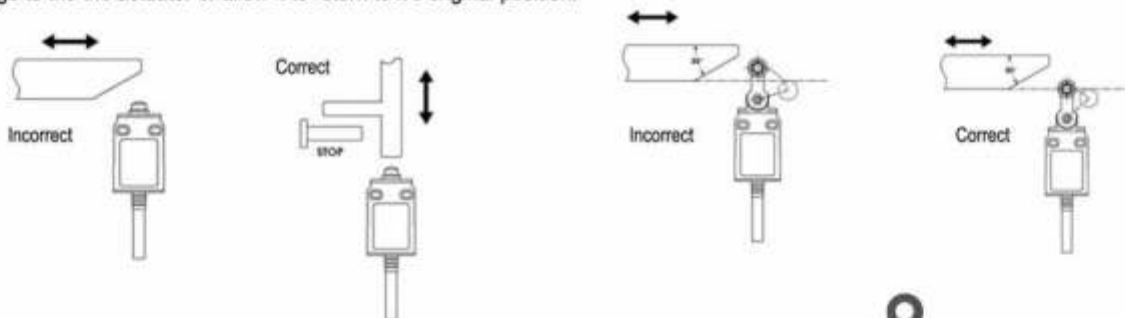
- 2NC 1NO
- 1NC 1NO Snap

## Application:

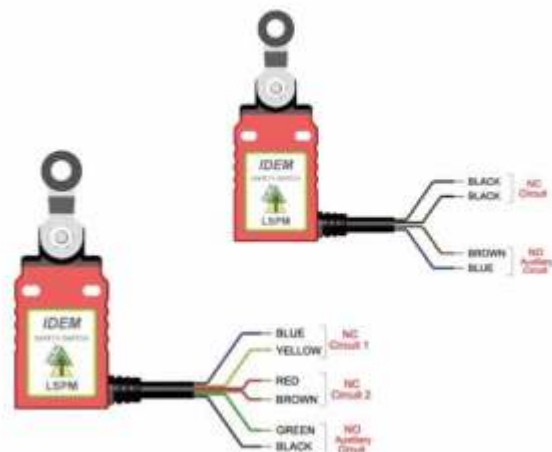
IDEM Safety Limit switches are designed to be mounted for position sensing of moving applications e.g. guard doors, conveyors, machine beds, elevators. They are available with linear plungers, rotary levers or roller plungers and either slow or snap action contacts.

## Operation:

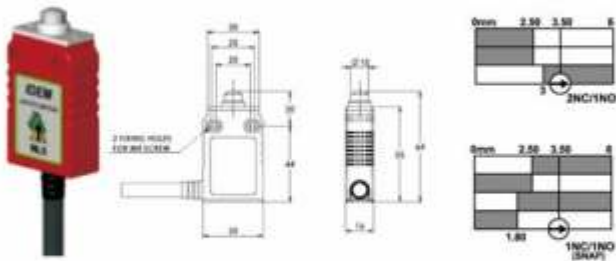
Operation of the switches is achieved by a sliding actuation of the moving object to cause deflection of the switch plungers or levers. For safety applications it is important that the moving object does not pass completely over the switch actuators so as to either cause damage to the the actuator or allow it to return to it's original position.



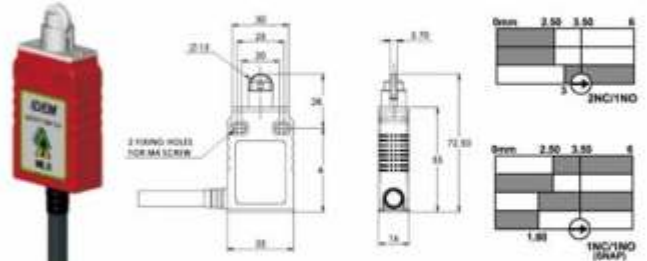
Standards	EN1088 IEC 947-5-1 UL508
Approvals	cULus TÜV
Utilization Category	AC15 A300 240V. 3A.
Thermal Current (Ith)	10A
Rated Insulation Voltage	300VAC
Rated Impulse Withstand Volt	2500VAC
Insulation Resistance	100MΩmin.
Max. Switching Speed	250mm/s
Max. Switching Frequency	6,000 operation per hour
Case Material	UL approved glass-filled 5VA
Roller Material	Various Polymers
Enclosure Protection	IP67
Operating Temperature	Min. -25°C Max 80°C
Mechanical Life Expectancy	5 x 10 <sup>7</sup> min.
Vibration	IEC 68-2-6, 10-55Hz 0.35mm, 1 octave/min
Conductor size	1.5 sq.mm
Cable OD	8mm
Fixing	2 x M4



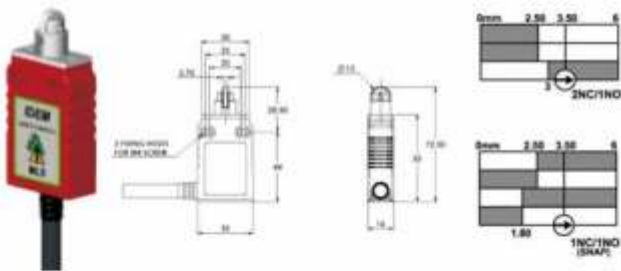
# Safety Limit Switches – Type LSPM - Plastic Body



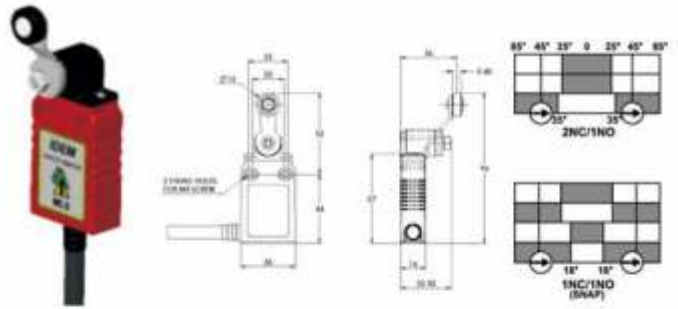
Pin Plunger Sales Numbers		
Contacts	Cable Side Ext	Cable End Ext
2NC 1NO	170001	170003
1NC 1NO Snap	170002	170004



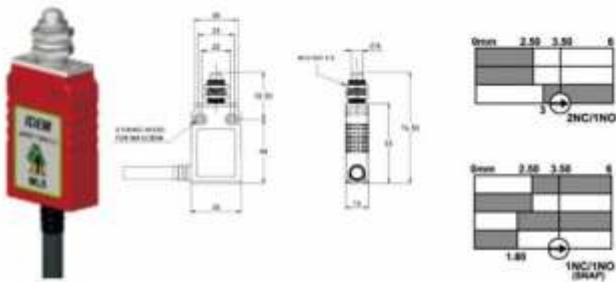
Roller Plunger Sales Numbers		
Contacts	Cable Side Ext	Cable End Ext
2NC 1NO	170005	170007
1NC 1NO Snap	170006	170008



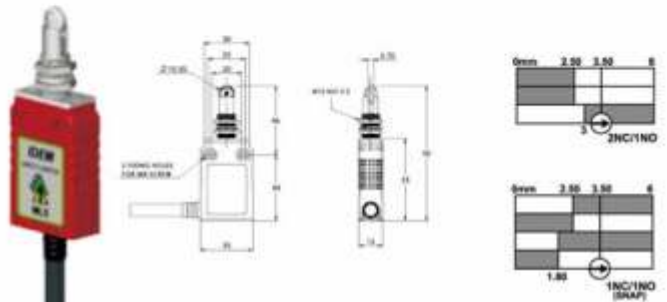
Cross Roller Plunger Sales Numbers		
Contacts	Cable Side Ext	Cable End Ext
2NC 1NO	170009	170010
1NC 1NO Snap	170011	170012



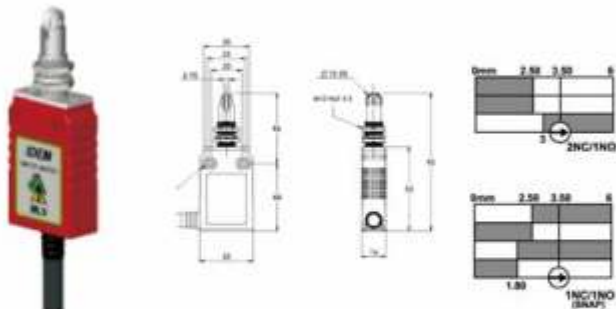
Roller Lever Sales Numbers		
Contacts	Cable Side Ext	Cable End Ext
2NC 1NO	170013	170014
1NC 1NO Snap	170015	170016



Panel Mount Pin Plunger Sales Numbers		
Contacts	Cable Side Ext	Cable End Ext
2NC 1NO	170017	170018
1NC 1NO Snap	170019	170020



Panel Mount Roller Plunger Sales Numbers		
Contacts	Cable Side Ext	Cable End Ext
2NC 1NO	170021	170022
1NC 1NO Snap	170023	170024



Panel Mount Cross Roller Plunger Sales Numbers		
Contacts	Cable Side Ext	Cable End Ext
2NC 1NO	170025	170026
1NC 1NO Snap	170027	170028

