

# Thermostat 0°-60°C, 0.5K, 1 CO



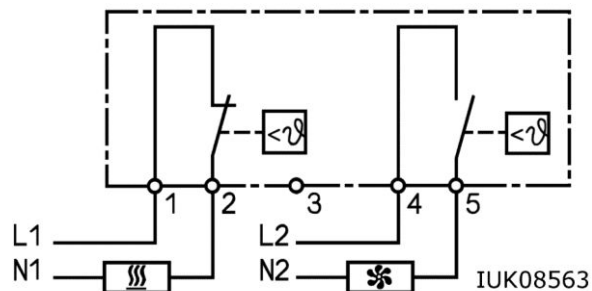
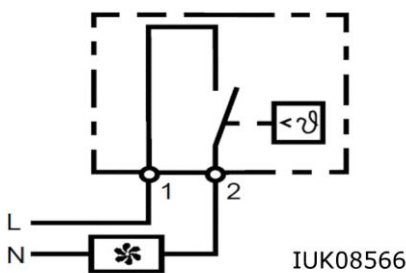
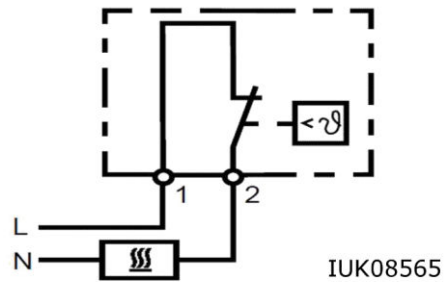
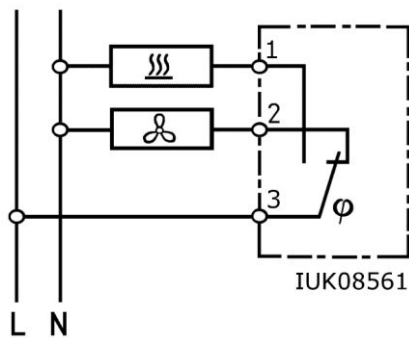
## SCHRACK-Info

- Thermostats are used as temperature controllers and to control filter fans and radiant heaters. The series of thermostats consists of three types that are available with NC, NO and CO contact. The twin thermostat is designed as fan and heating control system (1 NO/1 NC)
- Mounting: snap fastening for 35 mm profile bars

## Technical Data

Net width (mm)	37,00
Net height (mm)	64,00
Netto depth (mm)	46,00
Net weight (kg)	0,06
Min. ambient temperature (°C)	-40
Max. ambient temperature (°C)	80
Colour	RAL 7035 (Light grey)
Height (mm)	59,50
Depth (mm)	47,50
IP Rating	IP20
Width (mm)	37
Rated voltage	230V-AC
Product category	Regelung
Temperature setting range	0° - 60° C

## Circuit Diagram Thermostat



## Technische Daten Thermostate

Daten	Einheit	IUK08561	IUK08565	IUK08566	IUK08563
Kontaktart		Wechsler mit Sprungkontakt	Öffner mit Sprungkontakt	Schließer mit Sprungkontakt	Öffner/Schließer mit Sprungkontakt
Einstellbereich	°C (°F)	0 bis +60°C (+32...+140°F)	0 bis +60°C (+32...+140°F)	0 bis +60°C (+32...+140°F)	0 bis +60°C (+32...+140°F)
Schalttemperaturdifferenz	[K]	1	< 7	< 7	< 7
Schaltpunkttoleranz	[K]	± 3	± 4	± 4	± 4
Max. Schaltleistung	[V]	Öffner/NC ... 100 - 250V AC	240V AC	240V AC	Öffner/NC ... 240V AC
Wert in Klammern:	[A]	10 (2)A	10 (2)A	10 (2)A	10 (2)A
induktive Last bei	[V]	Schließer/NO ... 100 - 250V AC	120V AC	120V AC	Schließer NO ... 120V AC
cos φ = 0,6	[A]	5 (2)A	15 (2)A	15 (2)A	15 (2)A
	DC [W]	max. 30	max. 30	max. 30	max. 30
Einsatztemperaturbereich	°C (°F)	-40 bis +80°C (-40...+176°F)	-40 bis +80°C (-40...+176°F)	-40 bis +80°C (-40...+176°F)	-20 bis +80°C (-4...+179°F)
Lagertemperaturbereich	°C (°F)	-40 bis +80°C (-40...+176°F)	-40 bis +80°C (-40...+176°F)	-40 bis +80°C (-40...+176°F)	-20 bis +80°C (-4...+179°F)
Abmessung H x B x T	[mm]	64 x 37 x 46	72 x 40 x 36	72 x 40 x 36	80,5 x 59 x 38
Fühlertyp		Bimetall	Bimetall	Bimetall	Bimetall
Schutzart		IP 20	IP 20	IP 20	IP 20
Gewicht	[g]	75	50	50	95
Anschlussart		Schraubklemme für Kabelquerschnitt 0,5 bis 2,5mm <sup>2</sup>			
Geeignet für den Betrieb von		Lüfter und Heizung	Heizung	Lüfter	Lüfter und Heizung
Montageart		Schnappbefestigung für 35mm Profilschiene nach EN 60715			
Farbton		RAL 7035			

## Technical Data Thermostats

Data	Unit	IUK08561	IUK08565	IUK08566	IUK08563
Type of contact		Changeover (CO) with spring contact	Normally closed (NC) with spring contact	Normally open (NO) with spring contact	Normally closed (NC) / Normally open (NO) with spring contact
Setting range	°C (°F)	0 to +60°C (+32...+140°F)	0 to +60°C (+32...+140°F)	0 to +60°C (+32...+140°F)	0 to +60°C (+32...+140°F)
Switching temp. difference	[K]	1	< 7	< 7	< 7
Switching point tolerance	[K]	± 3	± 4	± 4	± 4
Max. switching power value in brackets:	[V] [A]	Normally closed (NC) ... 100 - 250V AC 10 (2)A	240V AC 10 (2)A	240V AC 10 (2)A	Normally closed (NC) ... 240V AC 10 (2)A
inductive load at cos φ = 0.6	[V]	Normally open (NO) ... 100 - 250V AC	120V AC	120V AC	Normally open (NO) ... 120V AC
	[A]	5 (2)A	15 (2)A	15 (2)A	15 (2)A
	DC [W]	max. 30	max. 30	max. 30	max. 30
Operating temp. range	°C (°F)	-40 to +80°C (-40...+176°F)	-40 to +80°C (-40...+176°F)	-40 to +80°C (-40...+176°F)	-20 to +80°C (-4...+179°F)
Storage temperature range	°C (°F)	-40 to +80°C (-40...+176°F)	-40 to +80°C (-40...+176°F)	-40 to +80°C (-40...+176°F)	-20 to +80°C (-4...+179°F)
Dimensions H x W x D	[mm]	64 x 37 x 46	72 x 40 x 36	72 x 40 x 36	80.5 x 59 x 38
Sensor type		Bimetal	Bimetal	Bimetal	Bimetal
Degree of protection		IP 20	IP 20	IP 20	IP 20
Weight	[g]	75	50	50	95
Connection type		Screw terminal for cable cross-section 0.5 up to 2.5mm <sup>2</sup>			
Suitable for the operation of		Ventilator and radiator	Heating	Ventilator	Ventilator and radiator
Type of mounting		Snap fastening for 35mm profile rails according to EN 60715			
Color		RAL 7035			

DESCRIPTION	Order No.
Thermostat 0°-60°C, 0.5K, 1 CO	IUK08561